

Date _____

Name _____

Client _____

Project name _____

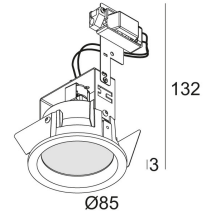
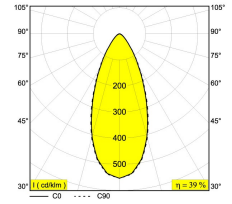
Quote# _____

Type/Quantity _____

25/08/2018 12:21:35

DIRO GT
202 34 12

[Weblink](#)

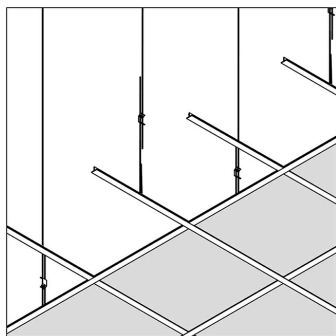


Cutout shape/size:	⌀ 76 mm
Recessed depth:	115 mm
Thickness of mounting surface:	min. 5
Available colors:	WHITE (202 34 12 W)
NON ADJUSTABLE	
GX5.3 // 12V // EXCL. TRANSFO	
1 x QR-C51 max. 50W	
Class:	III
Weight:	0.3 KG
Protection level:	IP44/20
Minimum distance:	0,5m
Remarks:	WHITE finish : max. 35W
Options:	TRANSFO

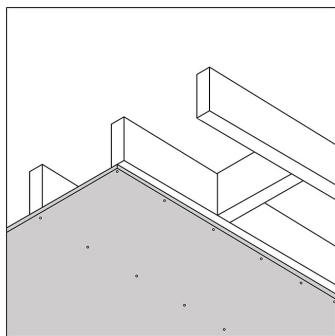
For detailed installation instructions, please consult the manual. [202_34_12_HAND.pdf](#)

DIRO GT
202 34 12

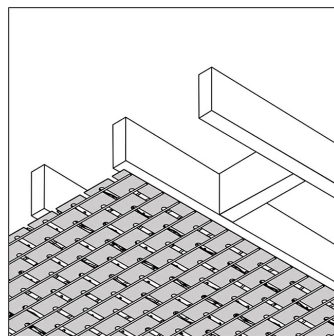
Ceiling compatibility



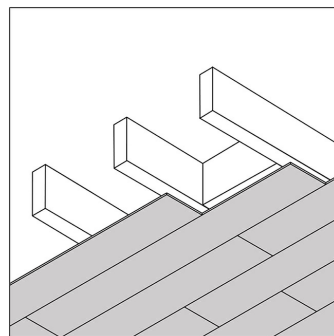
System ceiling



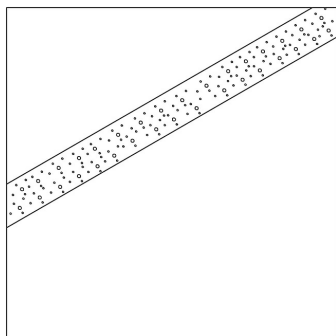
Plasterboard



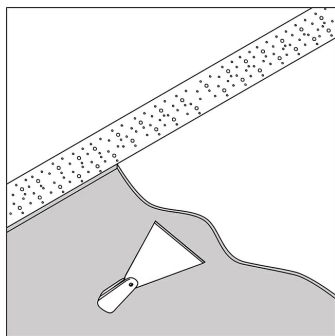
Stucanet



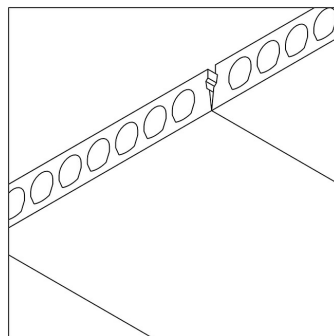
Wood



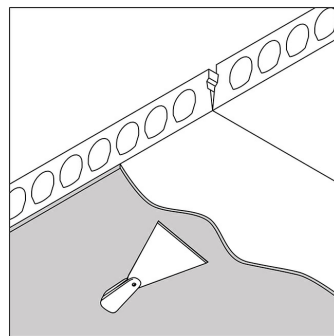
Concrete



Concrete + plaster



Hollow-core slab



Hollow-core slab + plaster

DIRO GT
202 34 12

Related references

CONTROL GEAR, BALLAST AND TRANSFORMERS

[Weblink / Specsheel](#)

TRANSFO 100W
200 46 10
220-240V / 50-60Hz

[Weblink / Specsheel](#)

TRANSFO 50W
200 46 06
220-240V / 50-60Hz

Related project picture of product family:

